



Piedmont Bushings & Insulators, LLC
"Quality Products at Competitive Prices"



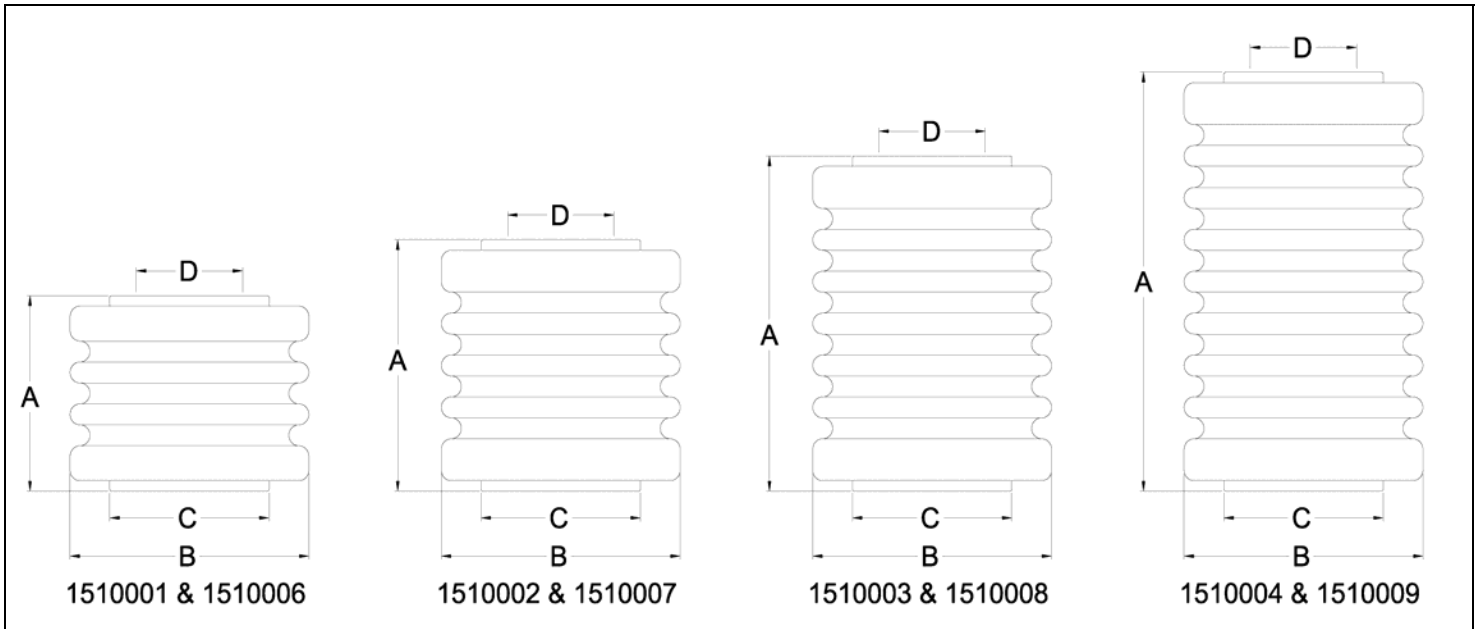
Piedmont Bushings & Insulators, LLC
251 Harris Bridge Road
P.O. Box 849
Woodruff, SC 29388

Phone: (864) 476-6360
FAX: (864) 476-6376



Piedmont Bushings & Insulators, LLC
"Quality Products At Competitive Prices"

***PBI Supplies ANSI A-20 Indoor Bus Type Insulators
Manufactured to ANSI C29.10 Standards Ranging in
Height From 3.5" To 7.5"***

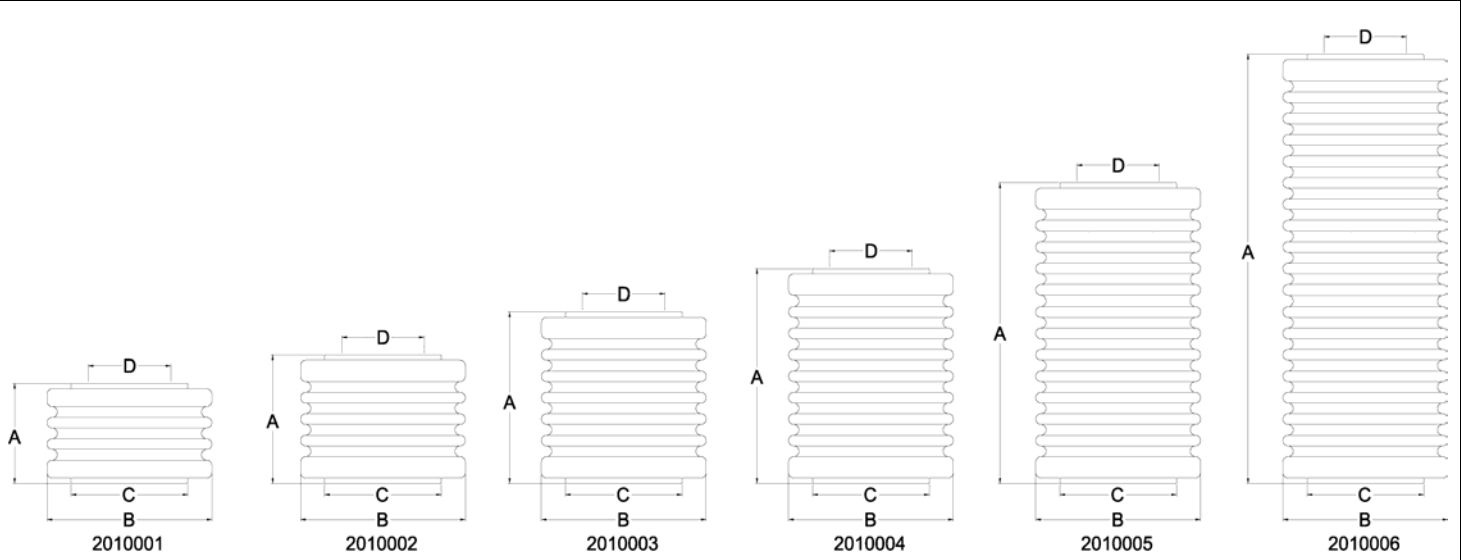


Part Number	1510001	1510002	1510003	1510004	1510006	1510007	1510008	1510009
Perimeter Tapped Holes	3/8-16	3/8-16	3/8-16	3/8-16	3/8-16	3/8-16	3/8-16	3/8-16
Center Tapped Hole	1/2-13	1/2-13	1/2-13	1/2-13	5/8-11	5/8-11	5/8-11	5/8-11
Height - A (Inches)	3.5	4.5	6	7.5	3.5	4.5	6	7.5
Outside Diameter - B (Inches)	4.5	4.5	4.5	4.5	4.5	4.5	4.5	4.5
Fitting Diameter - C (Inches)	2.75	2.75	2.75	2.75	2.75	2.75	2.75	2.75
Bolt Circle - D (Inches)	2	2	2	2	2	2	2	2
Voltage Rating (kV)	4.8	7.2	13.2	14.4	4.8	7.2	13.2	14.4
Impulse Withstand (kV)	60	75	95	110	60	75	95	110
Low Freq. Dry Withstand (kV)	19	26	36	50	19	26	36	50
Cantilever Strength (Lbs.)	1000	1500	1250	1000	1000	1500	1250	1000
Torsion Strength (In.-Lbs.)	2500	3500	3500	3500	2500	3500	3500	3500
Tension Strength (Lbs.)	2000	3000	3000	3000	2000	3000	3000	3000
Compression Strength (Lbs.)	20000	20000	20000	20000	20000	20000	20000	20000



Piedmont Bushings & Insulators, LLC
"Quality Products At Competitive Prices"

***PBI Supplies ANSI A-30 Indoor Bus Type Insulators
Manufactured to ANSI C29.10 Standards Ranging in
Height From 3.5" To 15"***

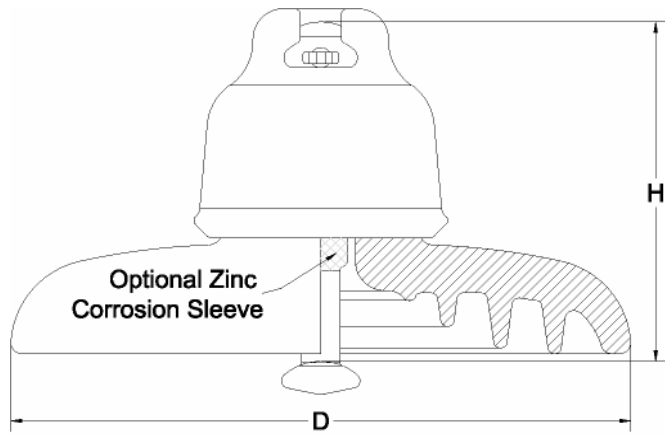
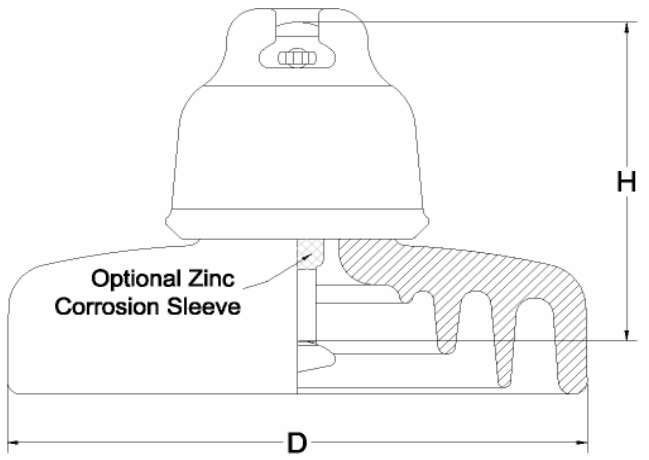


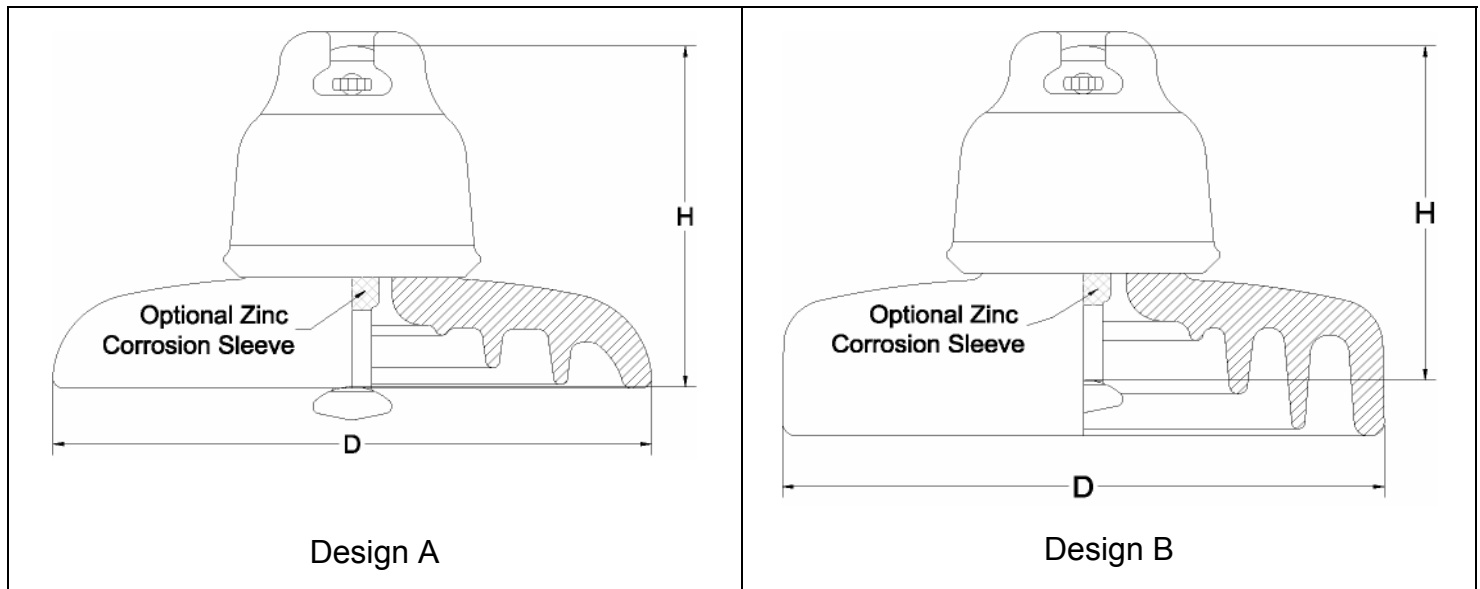
Part Number	2010001	2010002	2010003	2010004	2010005	2010006
Perimeter Tapped Holes	1/2-13	1/2-13	1/2-13	1/2-13	1/2-13	1/2-13
Center Tapped Hole	3/4-10	3/4-10	3/4-10	3/4-10	3/4-10	3/4-10
Height - A (Inches)	3.5	4.5	6	7.5	10.5	15
Outside Diameter - B (Inches)	6	6	6	6	6	6
Fitting Diameter - C (Inches)	4.25	4.25	4.25	4.25	4.25	4.25
Bolt Circle - D (Inches)	3	3	3	3	3	3
Voltage Rating (kV)	4.8	7.2	13.2	14.4	23	34.5
Impulse Withstand (kV)	60	75	95	110	150	200
Low Freq. Dry Withstand (kV)	19	26	36	50	60	80
Cantilever Strength (Lbs.)	2000	3000	2500	2000	1500	1250
Torsion Strength (In.-Lbs.)	4500	6000	6000	6000	6000	6000
Tension Strength (Lbs.)	3500	5000	5000	5000	5000	5000
Compression Strength (Lbs.)	30000	30000	30000	30000	30000	30000



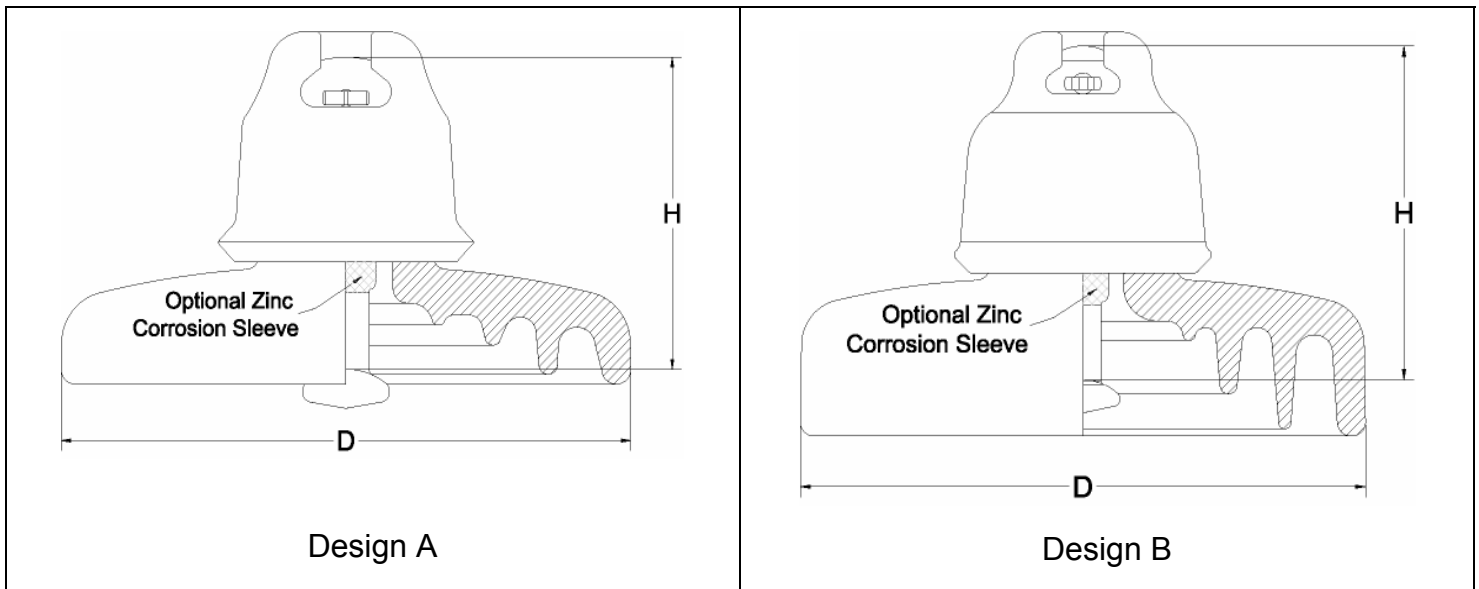
Piedmont Bushings & Insulators, LLC
"Quality Products At Competitive Prices"

***PBI Supplies ANSI Suspension Insulators
Manufactured to ANSI C29.2 Standards With M&E
Ratings Ranging From 10,000Lb to 50,000Lb.***

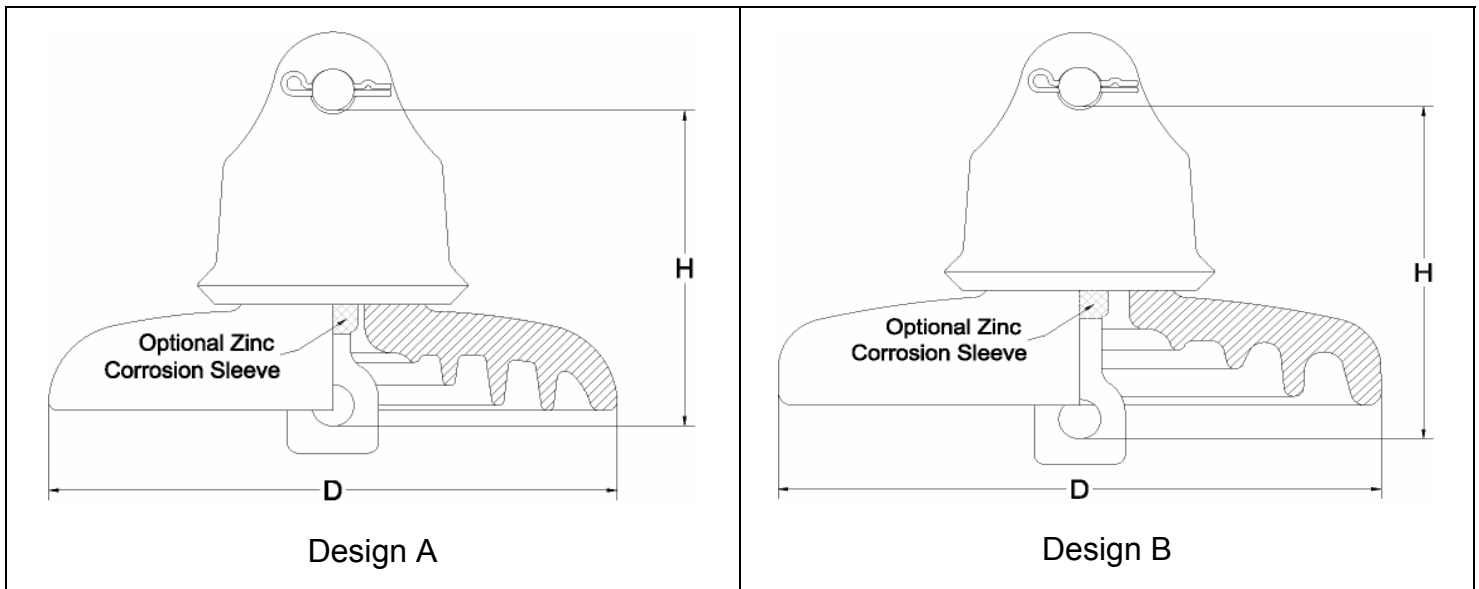
 <p style="text-align: center;">Design A</p>	 <p style="text-align: center;">Design B</p>		
Catalog Number (ANSI) Technical Reference Number	9015203S 52-3	9015203 52-3	9015213 52-3 Fog
Design	A	A	B
Dimensional Data			
Unit Spacing - H (Inches)	5.75	5.75	5.75
Shell Diameter - D (Inches)	10	10	10.50
Leakage Distance (Inches)	11.5	11.5	17
Mechanical Data			
Combined M&E (Lbs.)	15000	20000	20000
Impact Strength (In-Lbs.)	55	60	60
Tension Proof (Lbs.)	7500	10000	10000
Electrical Data			
Low Frequency Dry Flashover (kV)	80	80	100
Low Frequency Wet Flashover (kV)	50	50	60
Critical Impulse Flashover - Positive (kV)	125	125	195
Critical Impulse Flashover - Negative (kV)	130	130	180
Low Frequency Puncture (kV)	110	110	130
Radio Influence Test Voltage (kV)	10	10	10
Maximum RIV @ 1000 kHz (Microvolts)	50	50	50



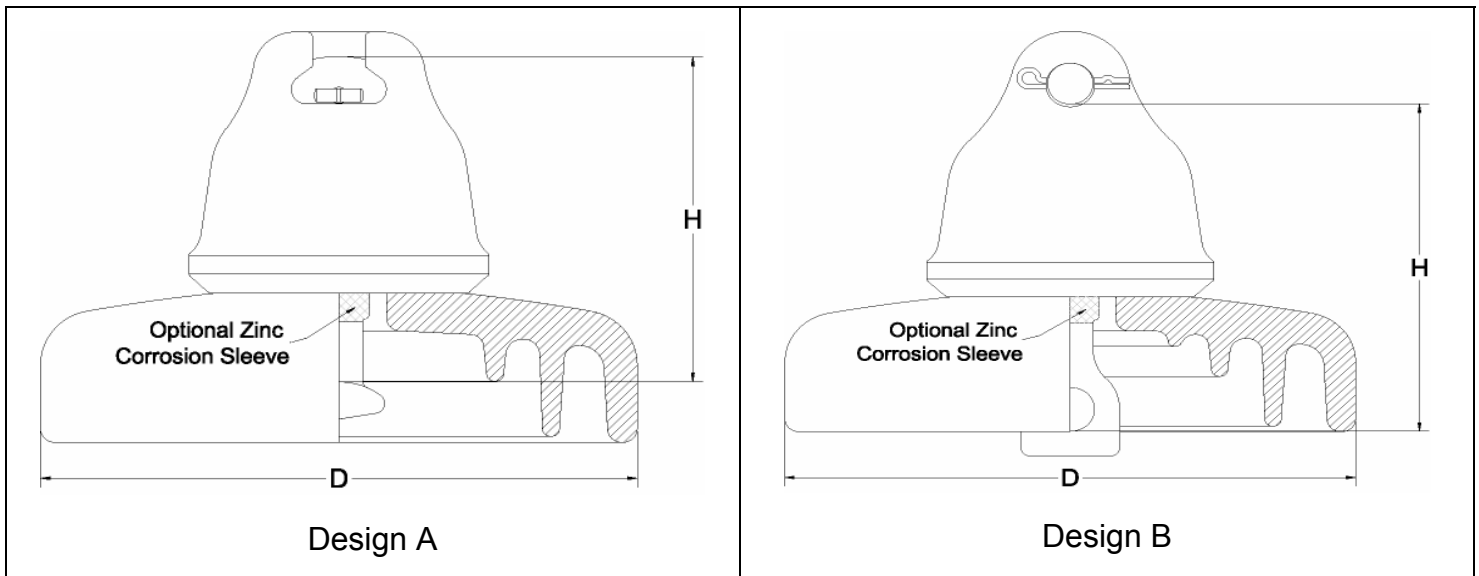
Catalog Number (ANSI) Technical Reference Number	9015205S 52-5	9015205 52-5	9015215 52-5 Fog
Design	A	A	B
Dimensional Data			
Unit Spacing - H (Inches)	5.75	5.75	5.75
Shell Diameter - D (Inches)	10.0	10.0	10.50
Leakage Distance (Inches)	11	11	17
Mechanical Data			
Combined M&E (Lbs.)	25000	30000	30000
Impact Strength (In-Lbs.)	60	60	60
Tension Proof (Lbs.)	12500	15000	15000
Electrical Data			
Low Frequency Dry Flashover (kV)	80	80	100
Low Frequency Wet Flashover (kV)	50	50	60
Critical Impulse Flashover - Positive (kV)	125	125	195
Critical Impulse Flashover - Negative (kV)	130	130	180
Low Frequency Puncture (kV)	110	110	130
Radio Influence Test Voltage (kV)	10	10	10
Maximum RIV @ 1000 kHz (Microvolts)	50	50	50



Catalog Number (ANSI) Technical Reference Number	9015208S 52-8	9015208 52-8	9015218 52-8 Fog
Design	A	A	B
Dimensional Data			
Unit Spacing - H (Inches)	5.75	5.75	6.25
Shell Diameter - D (Inches)	11.0	11.0	11.0
Leakage Distance (Inches)	11	11	17
Mechanical Data			
Combined M&E (Lbs.)	36000	40000	40000
Impact Strength (In-Lbs.)	90	90	90
Tension Proof (Lbs.)	18000	20000	20000
Electrical Data			
Low Frequency Dry Flashover (kV)	80	80	100
Low Frequency Wet Flashover (kV)	50	50	60
Critical Impulse Flashover - Positive (kV)	125	125	195
Critical Impulse Flashover - Negative (kV)	130	130	180
Low Frequency Puncture (kV)	110	110	130
Radio Influence Test Voltage (kV)	10	10	10
Maximum RIV @ 1000 kHz (Microvolts)	50	50	50



Catalog Number (ANSI) Technical Reference Number	9015204 52-4	9015206 52-6	9015210 52-10
Design	A	A	B
Dimensional Data			
Unit Spacing - H (Inches)	5.75	5.75	6.5
Shell Diameter - D (Inches)	10.0	10.0	10.0
Leakage Distance (Inches)	11.5	11	11
Mechanical Data			
Combined M&E (Lbs.)	20000	30000	40000
Impact Strength (In-Lbs.)	60	60	90
Tension Proof (Lbs.)	10000	15000	20000
Electrical Data			
Low Frequency Dry Flashover (kV)	80	80	80
Low Frequency Wet Flashover (kV)	50	50	50
Critical Impulse Flashover - Positive (kV)	125	125	125
Critical Impulse Flashover - Negative (kV)	130	130	130
Low Frequency Puncture (kV)	110	110	110
Radio Influence Test Voltage (kV)	10	10	10
Maximum RIV @ 1000 kHz (Microvolts)	50	50	50

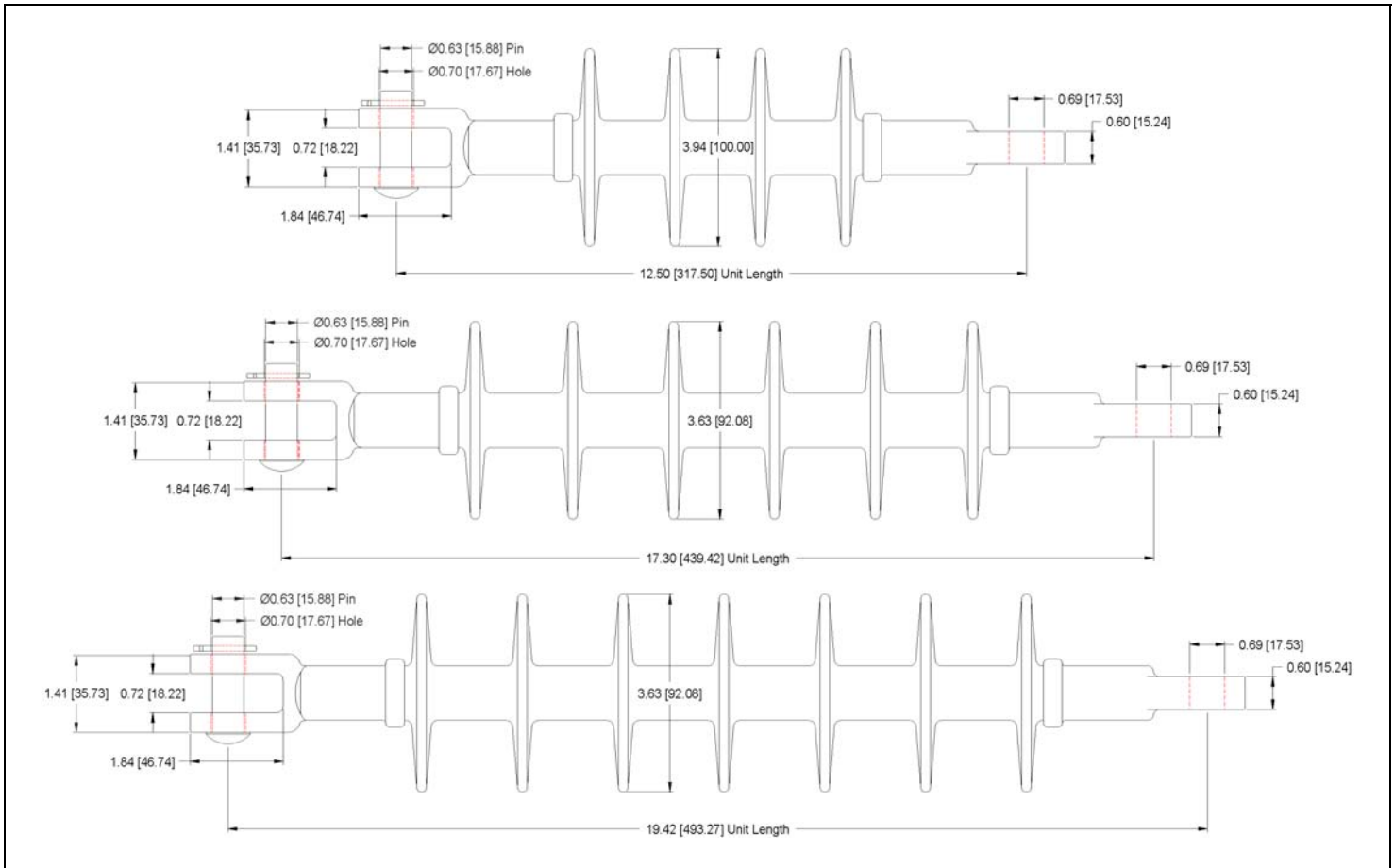


Catalog Number (ANSI) Technical Reference Number	9015211 52-11	9015212 52-12
Design	A	B
Dimensional Data		
Unit Spacing - H (Inches)	6.125	7.0
Shell Diameter - D (Inches)	11.0	11.0
Leakage Distance (Inches)	15	15
Mechanical Data		
Combined M&E (Lbs.)	50000	50000
Impact Strength (In-Lbs.)	90	90
Tension Proof (Lbs.)	25000	25000
Electrical Data		
Low Frequency Dry Flashover (kV)	80	80
Low Frequency Wet Flashover (kV)	50	50
Critical Impulse Flashover - Positive (kV)	140	140
Critical Impulse Flashover - Negative (kV)	140	140
Low Frequency Puncture (kV)	125	125
Radio Influence Test Voltage (kV)	10	10
Maximum RIV @ 1000 kHz (Microvolts)	50	50



Piedmont Bushings & Insulators, LLC
"Quality Products At Competitive Prices"

PBI Supplies Silicone Shed Distribution Dead-End Insulators Manufactured to ANSI C29.13 Standards In 15kV, 25kV and 35kV Voltage Classes. Custom Designs are Available Upon Request.

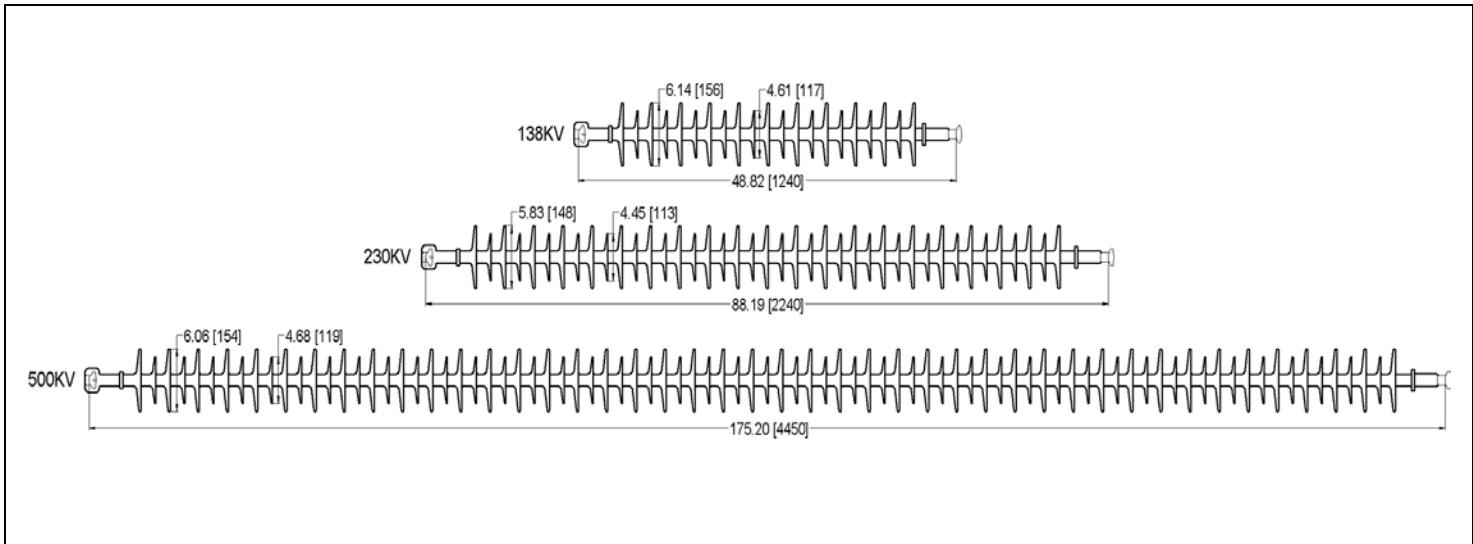


Catalog Number	9510015	9510025	9510035
Specifications			
Voltage Class, kV	15	25	35
Low Frequency Wet Flashover (kV)	65	110	130
Low Frequency Dry Flashover (kV)	90	130	145
Critical Impulse Flashover - Positive (kV)	140	215	250
Critical Impulse Flashover - Negative (kV)	170	225	270
Radio Influence Test Voltage (kV)	15	20	30
Maximum RIV @ 1000 kHz (Microvolts)	10	10	10
Specified mechanical Load (Lbs)	15000	15000	15000
Tension Proof Load (Lbs)	7500	7500	7500
Torsional Strength (Ft-Lbs)	40	40	40
Unit Length (Inches)	12.5	17.3	19.42
Minimum Creepage Distance (Inches)	16	24.5	30.0
Minimum Dry Arching Distance (Inches)	6	12	14.5
Shed Material	Silicone	Silicone	Silicone
End Fitting Material	Galvanized Malleable Iron	Galvanized Malleable Iron	Galvanized Malleable Iron



Piedmont Bushings & Insulators, LLC
"Quality Products At Competitive Prices"

***PBI Supplies Silicone Shed Suspension Insulators
Manufactured to ANSI C29.12 Standards In 138kV,
230kV and 500kV Voltage Classes. Other Voltage
Classes are Available Upon Request.***



Catalog Number	9510138	9510230	9510500
Specifications			
Voltage Class, kV	138	230	500
Low Frequency Wet Flashover (kV)	300	395	740
Low Frequency Dry Flashover (kV)	330	450	920
Critical Impulse Flashover - Positive (kV)	550	1000	2250
Specified mechanical Load (Lbs)	20000	20000	35000
Unit Length (Inches)	48.82	88.19	175.2
Minimum Creepage Distance (Inches)	113	198	496
Minimum Dry Arching Distance (Inches)	42	74.8	157.5
Shed Material	Silicone	Silicone	Silicone
End Fitting Material	Forged Steel	Forged Steel	Forged Steel